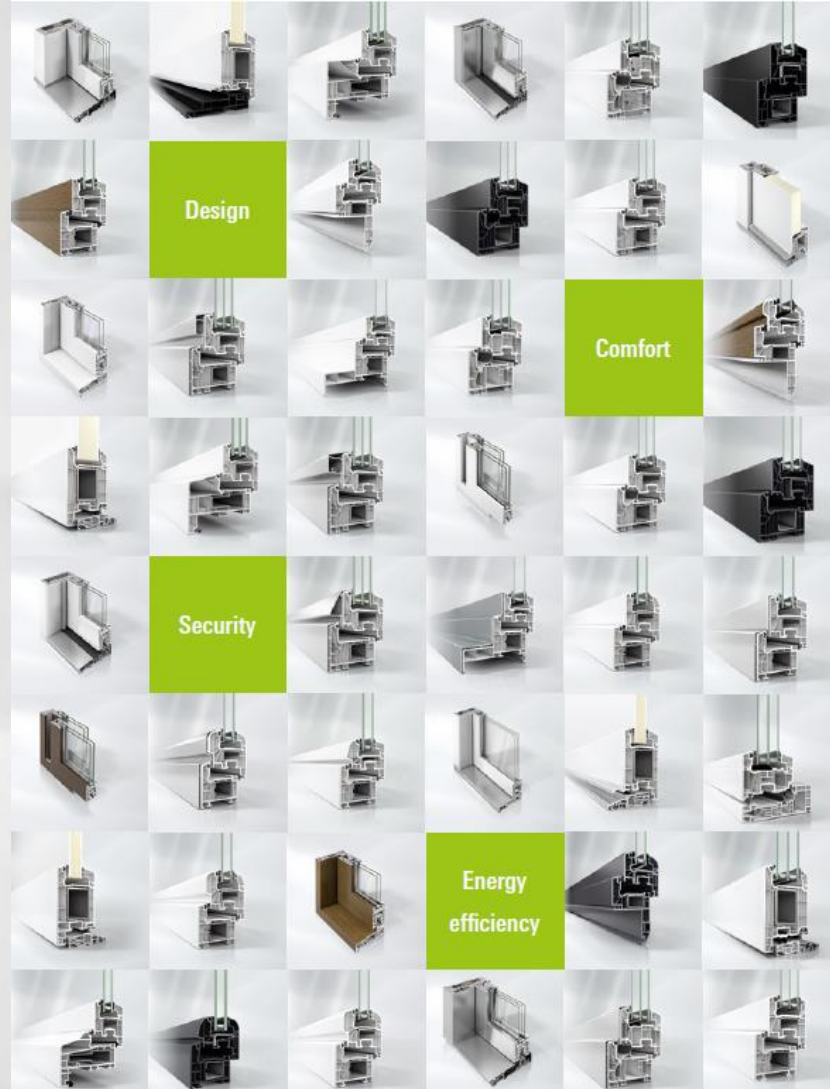




SCHÜCO

SCHÜCO

+ ADDED VALUE FOR YOUR SUCCESS.

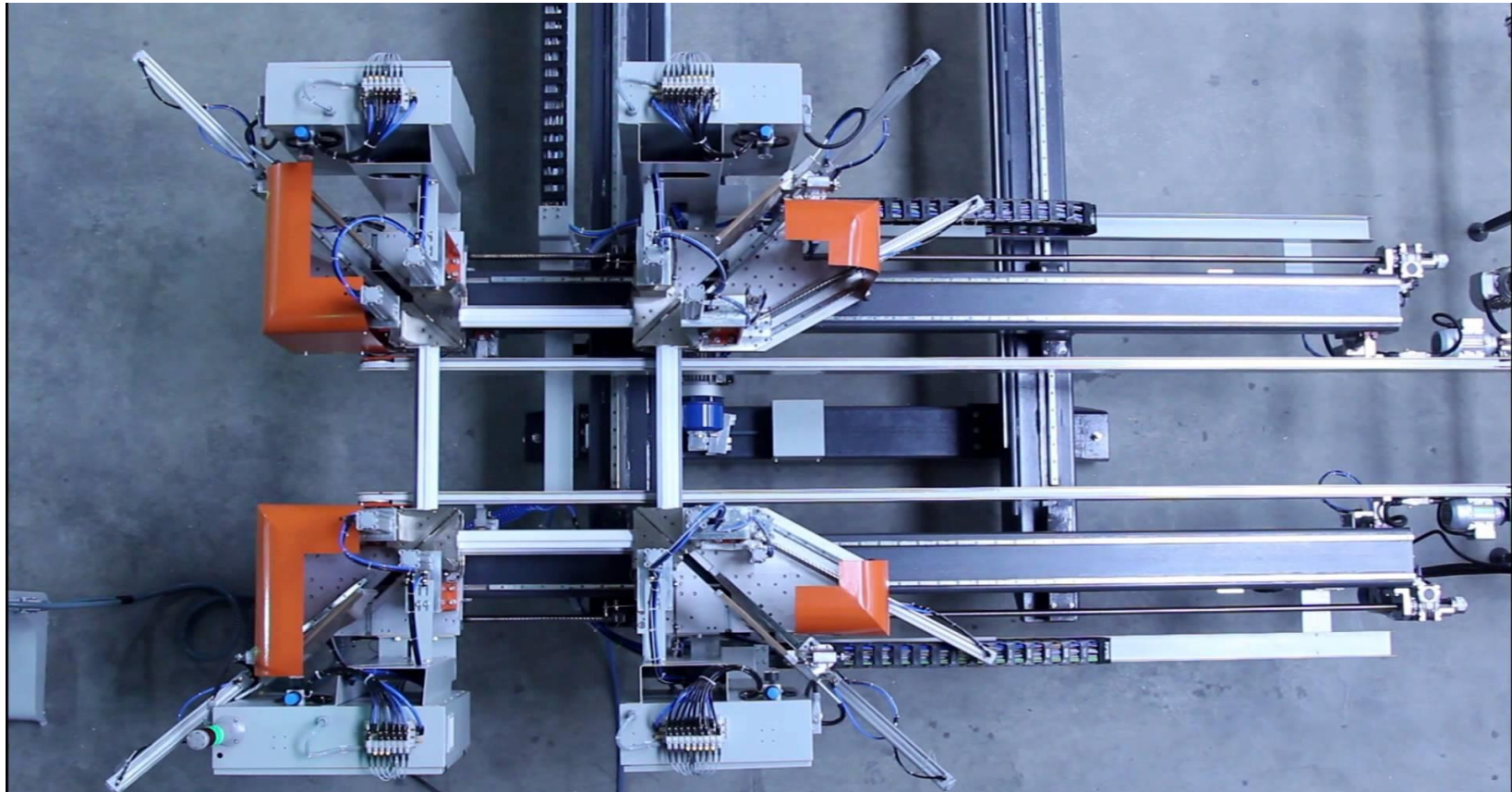


VASG
COMPOSITES

SCHÜCO

WORK SHOP

Four corners welding machine



WORK SHOP

CNC Processing Machine Line



Schüco LivIng Alu Inside

Based on the system dimensions Schüco LivIng, using patented aluminium profile rolling technology turns Schüco LivIng Alu Inside into a steel-free profile with maximum thermal insulation alongside a high level of cost-effectiveness and flexibility in fabrication and installation.

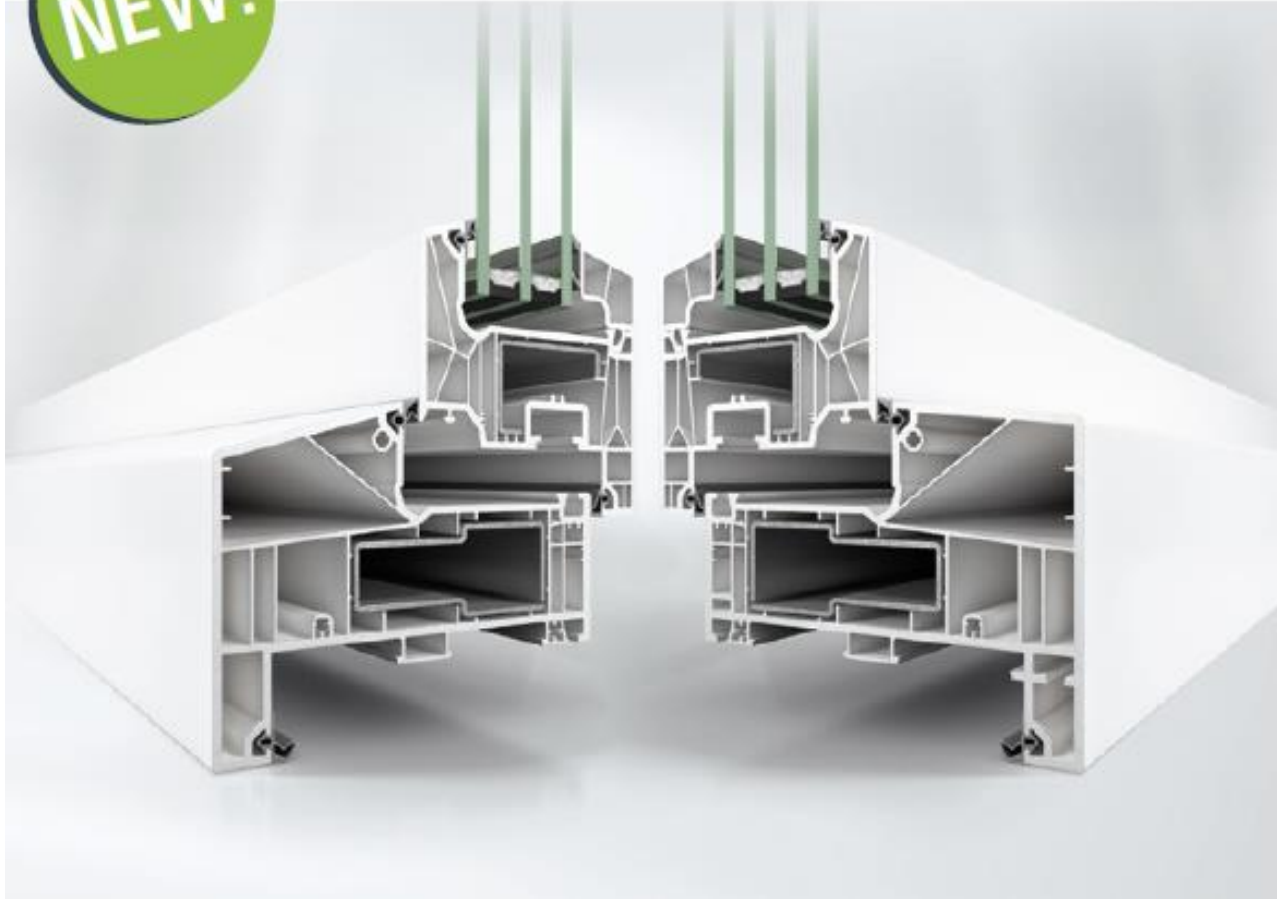
NEW!



Schüco LivIng Variant

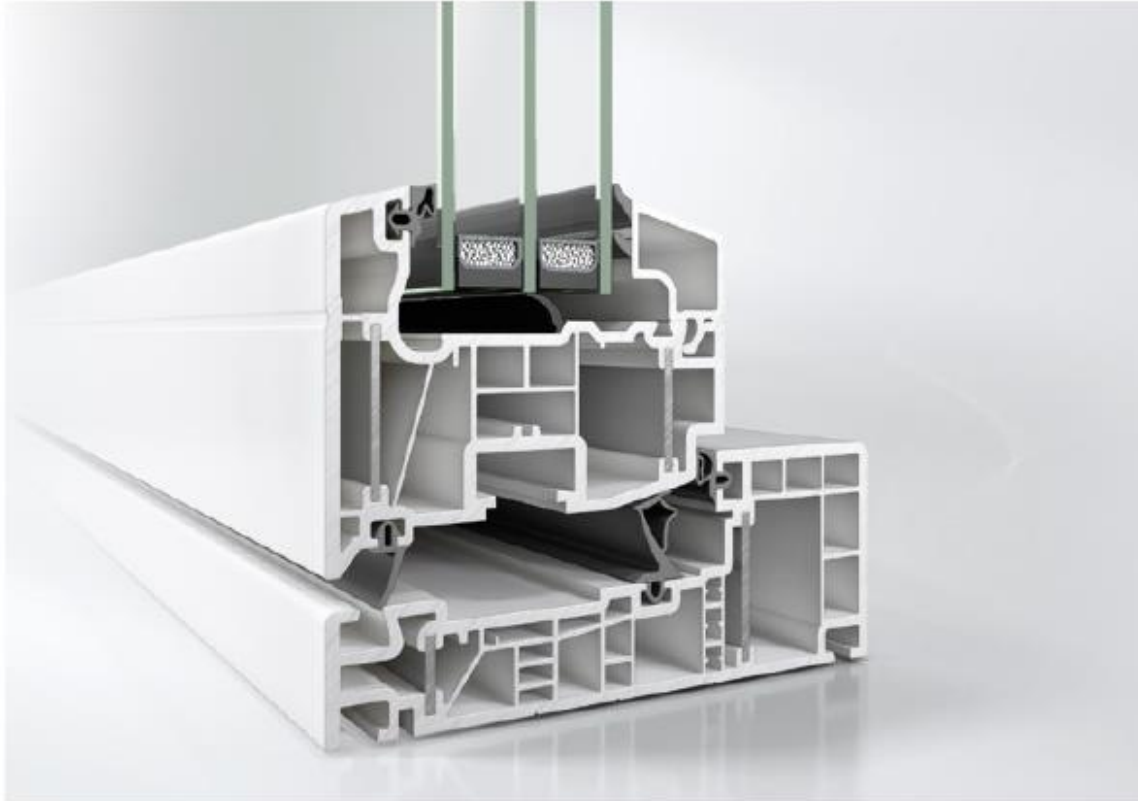
The Schüco LivIng Variant PVC-U system is an innovative profile system that meets the highest energy efficiency requirements, and with its two contour options and corner joints options it is ideally suited for the typical timber window look.

NEW!



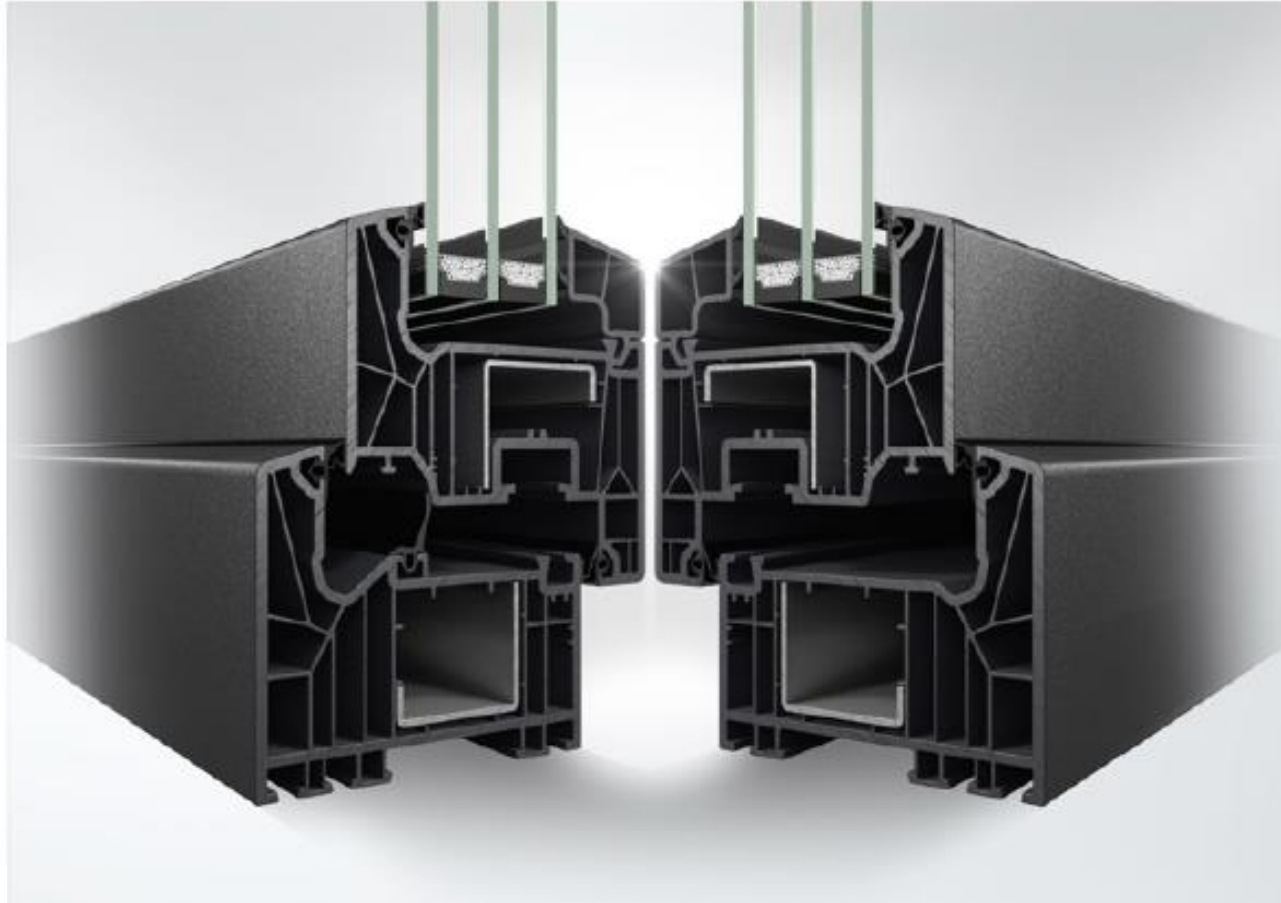
Schüco Alu Inside Nordic

Schüco Alu Inside Nordic is a highly thermally insulated, steel-free and outward-opening window system which is particularly suitable for renovations



Schüco Living

Based on twin system technology, the Schüco Living window and door system ensures impressively easy, efficient and flexible fabrication and installation. Simultaneously it enables the highest standards in terms of comfort and security as well as various options for design and construction.



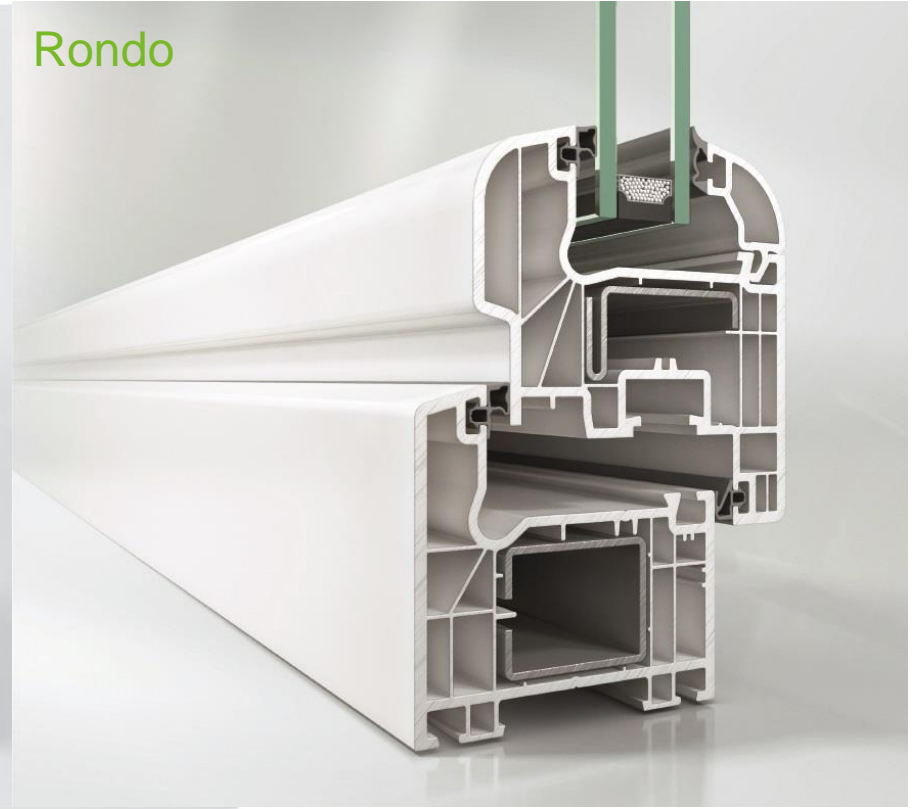
CT 70

As a rebate gasket system, the all-round Schüco Corona CT 70 system with good thermal insulation is an excellent series for modernisation projects and newbuilds.

Classic

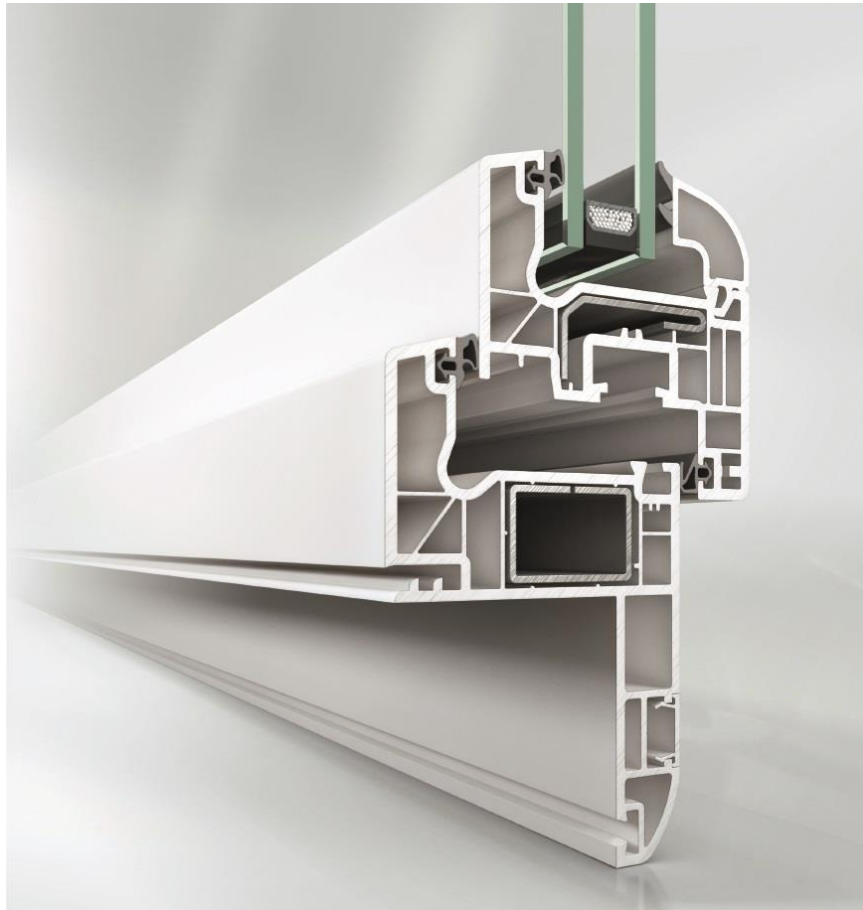


Rondo

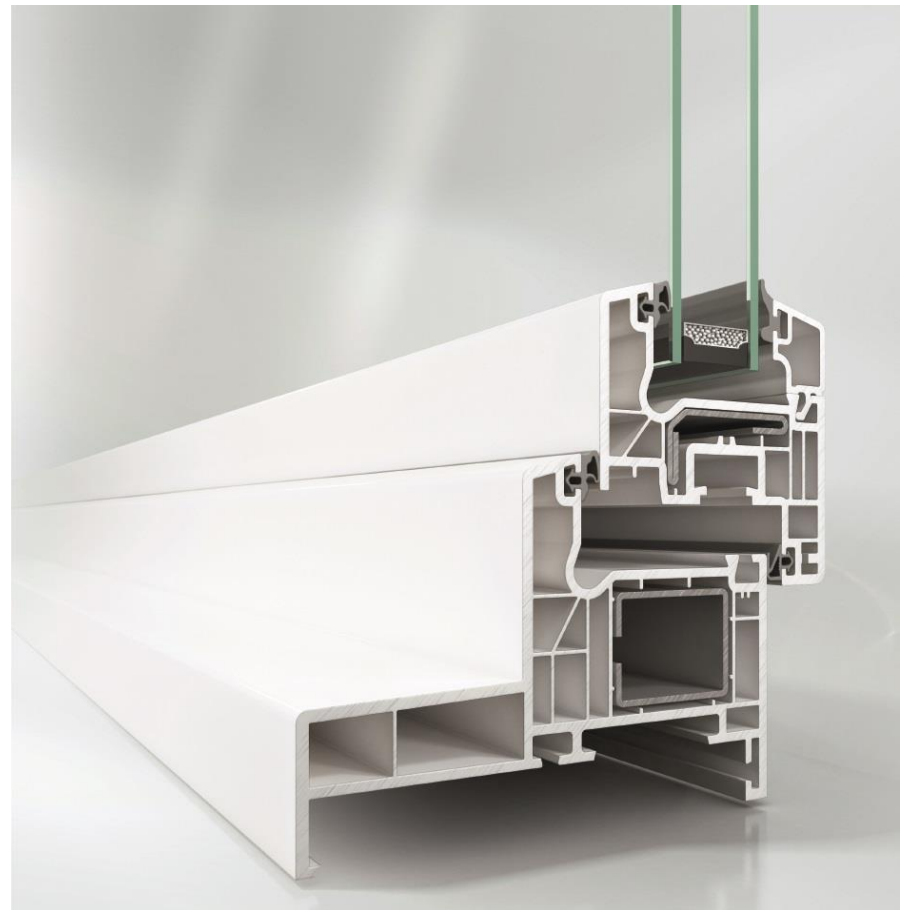


CT 70 Types of Frame

Renovation Frame



Monoblok Frame

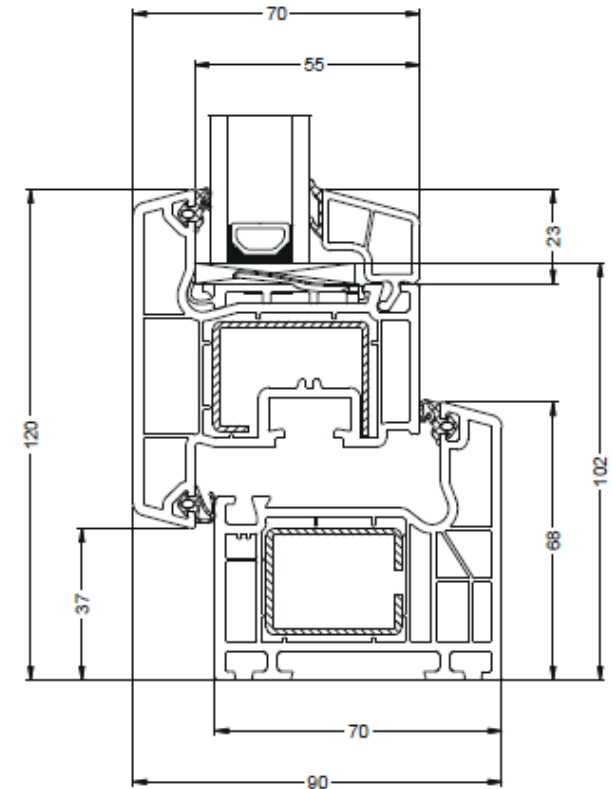


CT 70 Casament

NEW!



Schüco CT 70 Casament



CT 70 Horizontal Pivot Window



Schüco LivIngSlide

The new lift-and-slide system from Schüco combines maximum fabrication and installation efficiency with the highest standards of comfort and design.

NEW!



Schüco EasySlide

Flexible and functional lift-and-slide doors can easily be achieved with the Schüco EasySlide system. The series achieved excellent thermal insulation values as well as maximum security to RC2.

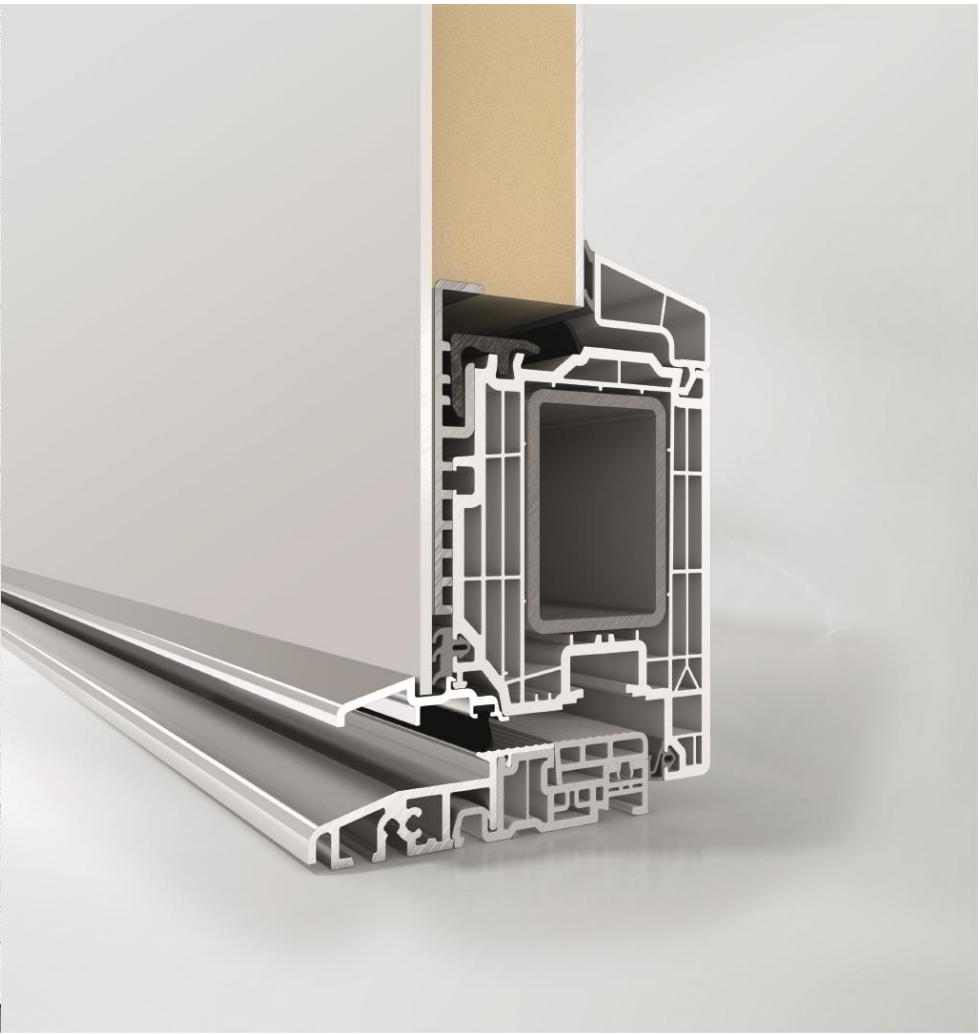


Schüco Corona S 150

The Schüco Corona S 150 PVC-U sliding system is based on the Schüco Corona CT 70 series and can be used as balcony, patio or conservatory doors.



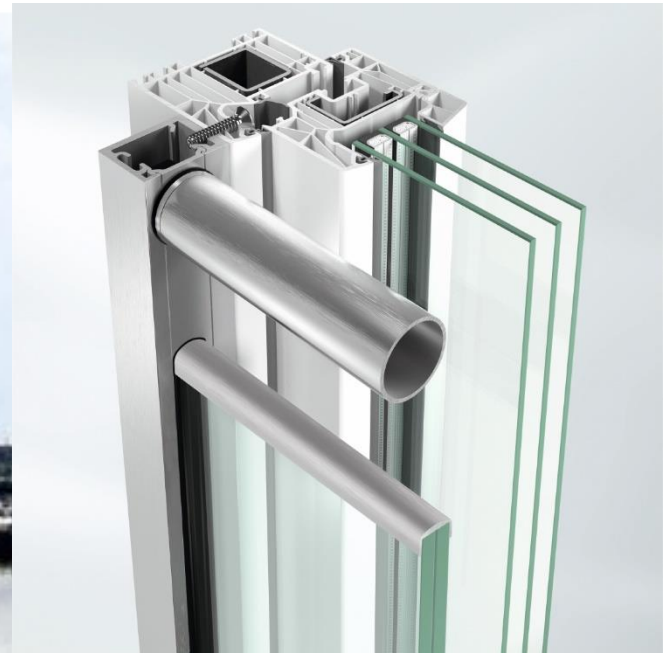
Living Entrance Door



Schüco safety barriers for PVC-U systems

Innovative fix: the new safety barriers from Schüco are connected to the windows in the workshop and simply installed as a complete unit on site. Allowing you to supply tested Schüco systems from a single source.

NEW!



Schüco VarioTec

With the Schüco VarioTec window fittings system, windows, fittings and handles combine to form a fully compatible system which is unique on the market in this form.



NEW RC2 SOLUTION AVAILABLE FROM THE 3RD QUARTER OF 2018
A minimal number of components simplifies fabrication of units
with resistance class 2 (RC2).





VASG COMPOSITES Ltd. is a dynamic company aiming to help its clients' product line with expertise we have developed over a decade.

Our company values include, but are not limited to, focusing on customer satisfaction while building our clients' trust, as well as keeping our employee's welfare at the highest level.

Our strengths have made it possible to professionally respond to window and door systems by Schüco, and present cost effective pricing without compromising on quality.

Our office and production plant are located in Izmir, Turkey's third largest city. We export our products from Izmir, a major international port of shipment. We speak Turkish, English, German, French, and Italian.

Our company's infrastructure has a production capacity that meets world standards. We are capable of producing moulds for bespoke orders. Our manufacturing and service are ISO and OHSAS certified.

All our products are subject to rigorous quality control processes.

We pride ourselves with a wide portfolio of customers ranging from EU countries to South Africa, from Asia to the USA.

We closely monitor the latest technology in the fiberglass to and composite industry in order to optimize our production system.

It is a high priority for us to work in constant collaboration with our clients.

For your enquiries, questions, orders

Headquarter:

Inonu Mh. 9504 Sk. No:11 D:26 Cigli / Izmir / TURKEY

0090 542 410 76 06

0090 542 410 76 07

info@vasgcomposites.com

www.vasgcomposites.com



SCHÜCO